

ASM Medicare

Picow Farm Road
Runcorn, Cheshire
WA7 4UG
Tel: 01928 574301
Fax: 01928 575130
Email:-
sales@asmmedicare.com



PRODUCT CODE 02056SL.

On receipt of your new ASM Stockton Lift Up Support Arm please check for signs of damage, report any defects to ASM immediately.
The ASM Stockton Support Arm comes fully assembled and ready for use.

As these products are wall mounted we recommend that a competent person such as a professional builder or experienced D.I.Y should install them. Incorrect fitting could lead to personal injury.

Two models are available, the standard model - Code 02056 & the support leg version - Code 02056SL. {shown}
The maximum fixing height for the SL version is 760mm / 30"

Please read & follow the instructions below.

- 1} It is extremely important that the correct type of fixing is used for the type of wall to which the product is to be attached.
If in any doubt seek advice from a competent person!
- 2} Once you have established the required height, place the product on the wall and mark the position of **ALL** the screw holes.
There are seven holes and **ALL** of them must be used!
- 3} Drill the wall according to the fixing manufacturers instructions and insert the fixings.
- 4} Attach the support arm to the wall ensuring that **ALL** screws are used for maximum strength.
- 5} If fitting the 02056SL, the height of the support leg may now be adjusted by loosening the grub screw on the inside of the leg with the Allen key provided. Slide the leg so that it is touching the floor when the support arm is in the horizontal position and retighten the grub screw. It is recommended that all screws and fittings are periodically checked for tightness.
- 6} Test the correct operation of the support arm and determine that both the wall and the fixings are strong enough to support the person who will be using the support arm.
- 7} Periodically check that the arm is securely fastened to the wall bracket, this will be apparent if the arm moves independently to the wall bracket. If loose follow the instructions on reverse.

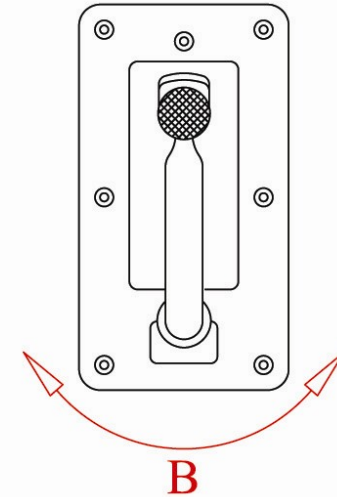
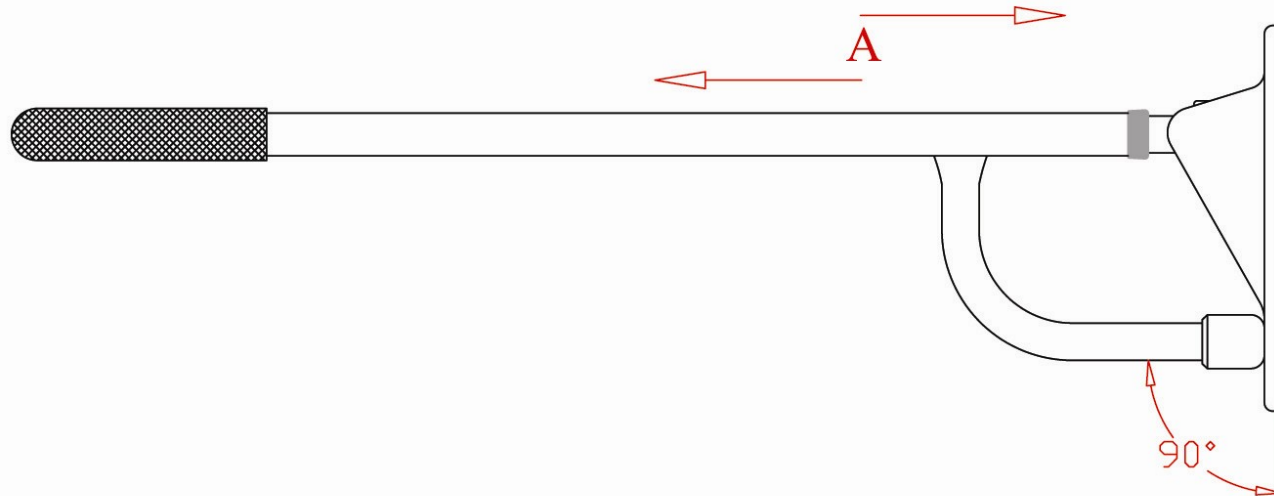
To clean your new ASM Stockton Lift Up Support Arm use a proprietary mild soap and / or disinfectant.
Dry off after cleaning with a soft cloth.

The Maximum User Weight for this product is dependant on the type of wall it is to be attached to & the fixings used!

ASM STOCKTON LIFT UP SUPPORT ARM USER INSTRUCTIONS



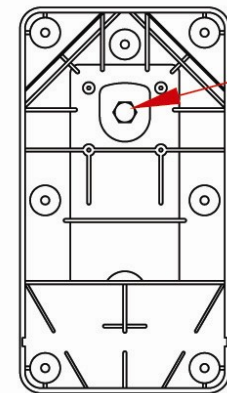
STOCKTON LIFT UP SUPPORT ARM CODE No 02056 / 02056SL.



If There Is Any Movement In The Direction Of Arrows
"A" Or "B" Use The Following Procedure To
Re-Tighten.

- 1} Remove the wall bracket from wall.
- 2} Slacken bolt indicated "C" at rear of bracket.
- 3} Adjust the rail so that it is aligned at 90° to the wall.
- 4} Re-tighten bolt fully.

Failure to re-tighten may result in personal injury!



C
MUST BE
FULLY
TIGHT.